



LEPUS 600/1600/2000

Gearmotor in oil bath for intensive use for sliding gates



Release with metal lever
DIN lock, and lock cover



Mechanical twin-disc
clutch



Mechanical twin-disc
clutch

- ▶ Complete lubrication in oil bath of motor and all mechanical components for longer life
- ▶ Standard encoder (Obstacles detection sensor) for max. anti-crushing operation safety
- ▶ On request versions for very intensive operation cycles (LEPUS Continuous 600)
- ▶ Foundation plate adjustable in height and width
- ▶ Threephase version with dual connection (220V or 380V)

SPECIFICATIONS	LEPUS 600 - 1600	LEPUS 2000 THREEPHASE
Supply voltage	230Vac±5% 50/60Hz	230/380Vac±5% 50/60Hz
Motor Power	330 - 450 W	450 W
Opening speed	10 m/min	10 m/min
Frequency on use	85-75% (intensive)	80% (intensive)
Max torque	50 - 70 Nm	70 Nm
Operating T°	-20°C/+55°C	-20°C/+55°C
Weight	15 kg	15,5 kg
Max leaf weight	600 - 1600 Kg	2000 Kg
Anti crushing clutch	Mechanical in oil-bath	Mechanical in oil-bath Electronic
Protection class	IP55	IP55
Starting capacitor	16/25µF	-
Limit switch	Mechanical/Induttivo	Mechanical with lever Inductive

UNIGATE - I

INVERTER technology

UNIGATE I (INVERTER)

- Digital control unit with LCD display
- Adjustable speed
- Adjustable acceleration/deceleration
- Continuous motor cycles
- High strength in slowdown
- Possibility to manage obstacle reverse

Integrated functions on the UNIGATE INVERTER

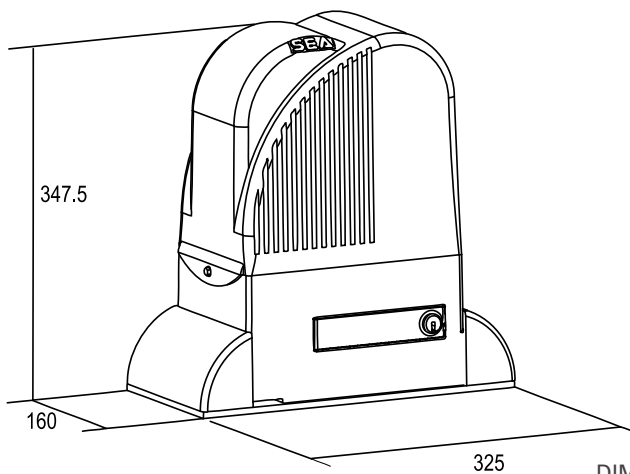
- 2 relay contacts
- 2 programmable GPIO outputs
- LE card on board for potentiometer
- Relay card on board
- PROBE heater card on board



- Management of two FV inverters for 2 motors or 2 PM modules for 4 motors
- Timer on board with buffer battery and management of 2 time bands
- 2 Ah switching transformer of which about 1.3 Ah free for other accessories

Advantages:

- + Duty cycles
- + Torque
- + Speed (adjustable)
- + one model 90V to 265V



DIMENSIONS (mm)

ACCESSORIES



Yellow oil



ENC
Kit Encoder for
Saturn E



PZ13T Pinion Z13



PZ20 Pinion Z20

Microswitch on
release lever for
stop function (for
SATURN G1 and E)



Cover INOX for
external release
to combine with
SECSAT



SECSAT
Box and external
release with cable



Device for braking
the downhill gates
max 5° slope
1500 kg

