



SURF 250/350

Electromechanical swing gate operator for leaf length up to **3,5 m** or max. **300 kg** weight



Metal manual release
(standard series H)



Mechanical/electronic
stops
(standard series H)



Gears with bearings

- ▶ Robust, electromechanical operator with die-cast aluminium body, weather resistant, polyester paint
- ▶ Version H equipped with mechanical and electronic limit switches IP67
- ▶ Adjustable back fixing with holes
- ▶ Emergency batteries and recharge solar panel KIT SUNNY (Surf 24V) can be applied
- ▶ Operator with small width for installations also in reduced spaces
- ▶ Reversible version available
- ▶ Strong endless screw supported by bearings for max. resistance
- ▶ On request SURF with external release

SPECIFICATIONS	SURF 250/350 (230V) SURF 250/350 (24V)
Power supply	230Vac±5% - 50/60Hz
Motor Power	230 W / 60 W (24V)
Shaft Stroke	400 mm
Max Cycles/Hour	30 (230V) / 40 (24V)
Working temperature	-20°C /+ 55°C
Weight	7,5/7,8 kg
Max leaf length	2,5/3,5m
Opening degrees	90°- 120°
Shaft speed	1,6 cm / sec adjustable(24V)
Protection class	IP44
Starting capacitor	10 µF/-
Max thrust	3000 N (230V) 2000 N (24V)

UNIGATE - I

INVERTER technology

UNIGATE 2I (INVERTER)

- Digital control unit with LCD display
- Adjustable speed
- Adjustable acceleration/deceleration
- Continuous motor cycles
- High strength in slowdown
- Possibility to manage obstacle reverse

Integrated functions on the UNIGATE INVERTER

- 2 relay contacts
- 2 programmable GPIO outputs
- LE card on board for potentiometer
- Relay card on board
- PROBE heater card on board



- Management of two FV inverters for 2 motors or 2 PM modules for 4 motors
- Timer on board with buffer battery and management of 2 time bands
- 2 Ah switching transformer of which about 1.3 Ah free for other accessories

Advantages:

- + Duty cycles
- + Torque
- + Speed (adjustable)
- + one model 90V to 265V

ACCESSORIES



Battery kit with box



Mechanical stops
(2 pcs)



Battery charger 800
mA with solar panel
admin



20W solar panel +
ESUN Q + battery
12 Ah



Adjustable back
fixing bracket no
welding (2 pcs)



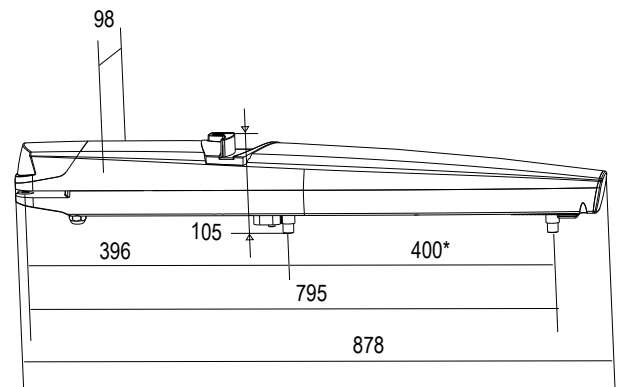
Adjustable front
fixing bracket (2 pcs)



Din cylinder with
variable coding
and release lever



Bracket for external
opening L 400 mm
(2 pcs)



DIMENSIONS (mm)

* with mechanical stops